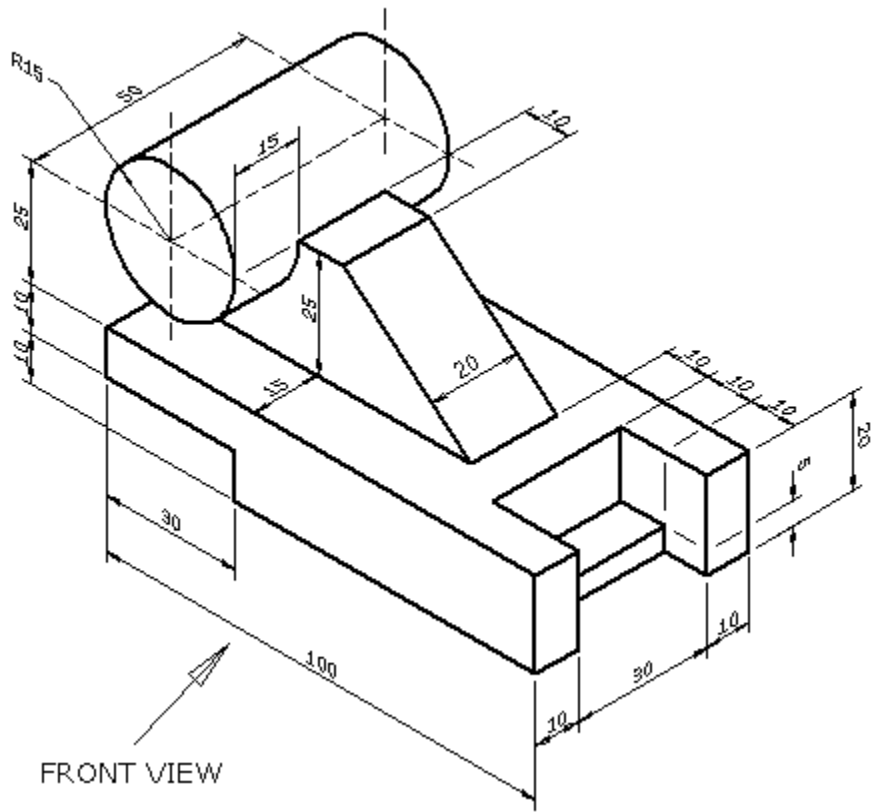


3. STOP BLOCK



4. GUIDE SOCKET

