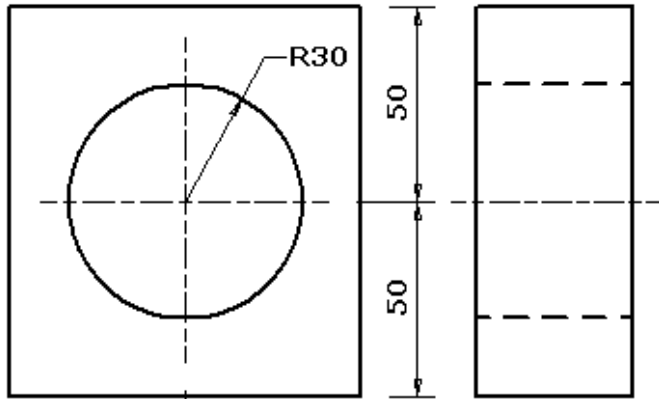


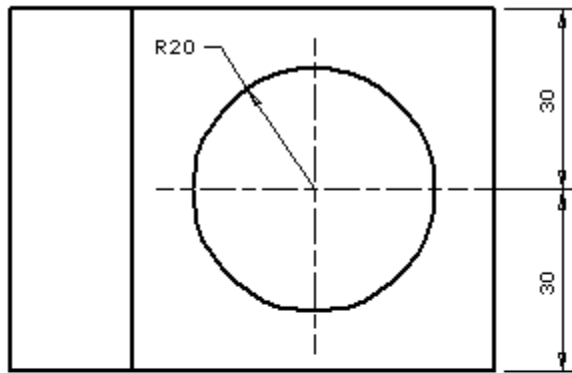
5. SPACER

TOP VIEW



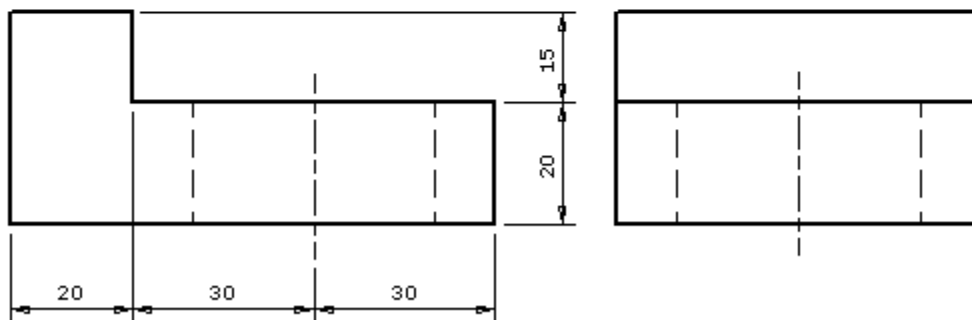
FRONT VIEW

RIGHT SIDE VIEW



6. DRILLING GUIDE

TOP VIEW



FRONT VIEW

RIGHT SIDE VIEW