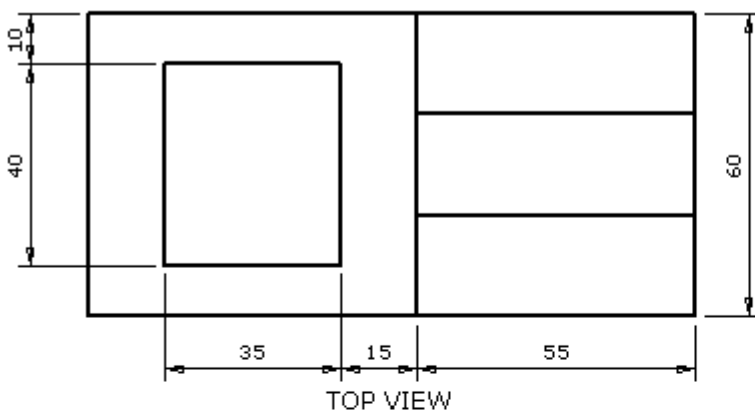
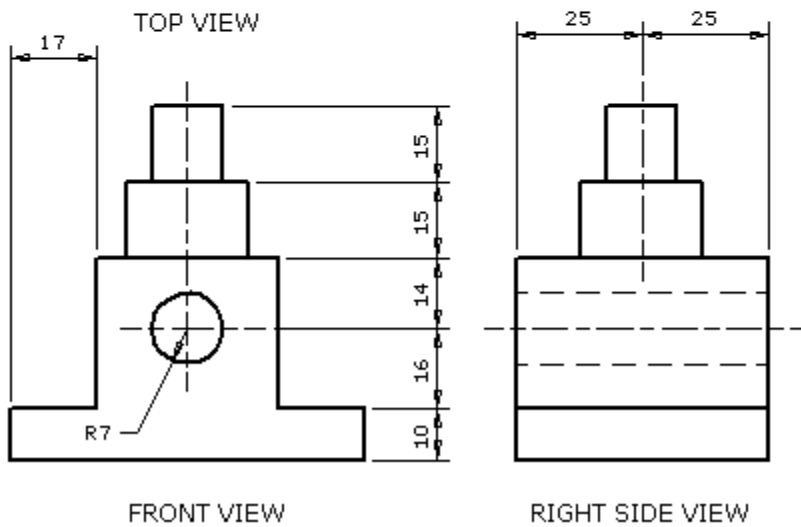


7. FORMING GUIDE



8. STANDING GUIDE

